

QUICK START GUIDE

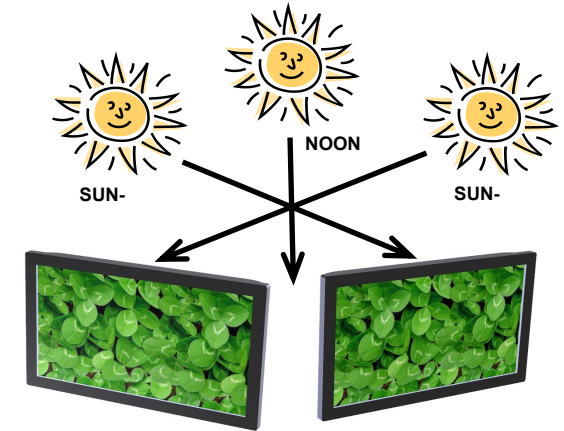
FOLLOW THESE 4 STEPS TO SETUP YOUR NEW OUTDOOR BACKYARD TV

Note: Some A/V devices may not support all of the connection types shown. Cables shown are not provided.

CINIOS™

1 CHOOSE A MOUNTING LOCATION

- ◆ Select a sturdy location to support the TV weight.
- ◆ For best picture quality, avoid direct sunlight on the screen, however this product has superb performance in full sunlight.
- ◆ Mount TV using the included bracket and instructions.

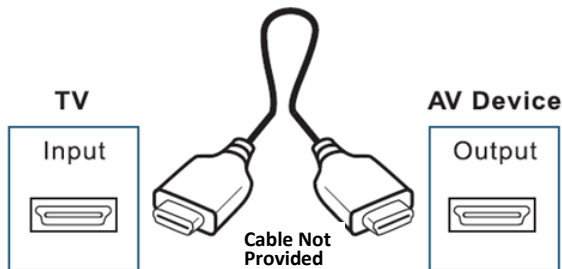


2 CONNECT MEDIA SOURCE

(TV connectors are located under the removable cover at the back of the TV. Route cables thru the corner waterproof foam blocks.)

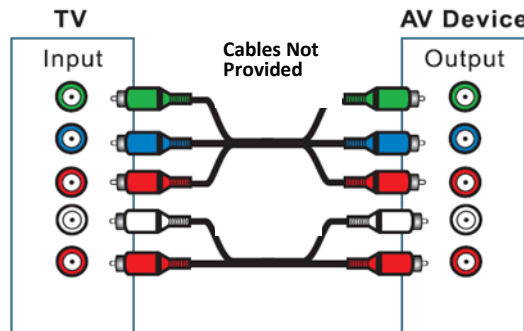
BEST CONNECTION

HDMI



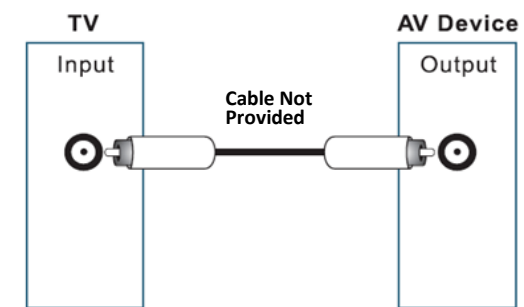
VERY GOOD CONNECTION

COMPONENT

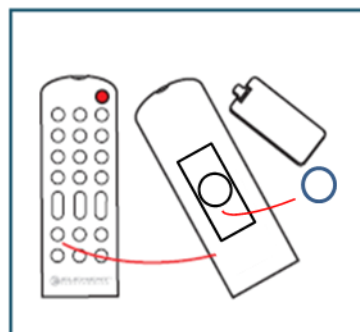
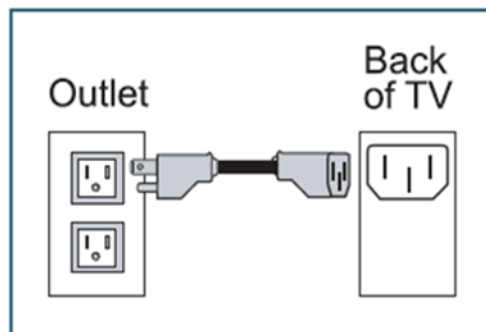


BASIC CONNECTION

EXTERNAL ANTENNA



3 CONNECT POWER -> AC PLUG + ADD REMOTE BATTERY



Check the LED light on the AC Power Cord black box is 'ON'.
If not 'ON', press the small button on the Power Cord box to reset the GFI protection circuit.

Step **4** →

4

CHOOSE SOURCE TO WATCH

- ◆ Press 'POWER' button on the remote or the power button on TV bottom right side.
- ◆ Press 'Source' button on the remote.
- ◆ Select the input source that you connected in step 2.
- ◆ Press 'Exit' to exit the on-screen display and begin watching.

HELP or TROUBLESHOOTING: Please first refer to the User Manual by visiting www.cinios.com/support webpage.
Or contact Amazon customer service at 1-888-280-4331.

If you are satisfied with your new TV, please share a review on Amazon for others to see.

PRODUCT BOX CONTENTS:

- 1 - CINIOS Outdoor TV with AC Power Cord
- 1 - Remote Control with Battery (size CR2025)
- 1 - Quick Start Guide
- 1 - TV Mounting Bracket
- 1 - Dust Cover

Save the protective TV packaging for future use.

ENJOY YOUR NEW BACKYARD TV !

ONE-YEAR LIMITED PRODUCT WARRANTY ON PARTS AND LABOR

Parts and Labor

CINIOS (the 'Company') provides a warranty to the original purchaser of the product against defects in materials and workmanship for a period of exactly one (1) year from the original date of purchase. For complete warranty terms and details, read the full statement online at www.cinios.com/support.

Obtaining Warranty Service

To obtain warranty service you must first contact Amazon or the retailer you purchased the TV from to receive a return authorization. Proof of purchase in the form of a sales receipt, invoice, or copy specifying the original date of purchase must be presented within the warranty period to obtain service. Do not return units to CINIOS. Return the product in its original packaging to prevent damage which you will be responsible for if unauthorized packaging is used.

Limitations and Exclusions

This one-year limited warranty only covers defects in materials and workmanship. Items not covered include but are not limited to: cosmetic damage, normal wear and tear, commercial use, misuse, abuse, negligence, signal issues, power surges, connection to improper voltages, damage from shipping, acts of nature or war, any sort of customer misuse or operation for which it was not intended, improper installation or setup, customer modifications, and repairs or adjustments by unauthorized service facilities.

Units with unreadable, altered, or removed factory applied serial numbers, "image burn-in", or for routine maintenance are not covered. This warranty does not cover products sold "AS IS", "FACTORY RECERTIFIED", "REFURBISHED", or by a non-authorized reseller or retailer.

CINIOS™

FCC COMPLIANCE STATEMENT: This device complies with part 15 of the FCC Rules. Operation is subject to the following two conditions: (1) This device may not cause harmful interference, and (2) this device must accept any interference received, including interference that may cause undesired operation.

